

# Rondo XPRESS® Drywall Grid Ceiling System

## Seismic Design Form

Date \_\_\_\_\_  
 Contractor Name \_\_\_\_\_  
 Project Name \_\_\_\_\_  
 Project Stage \_\_\_\_\_

### Building Data

Country \_\_\_\_\_ Location \_\_\_\_\_  
 Building Importance Level    2    3    4  
Note: For New Zealand, importance Level 5 buildings require a specific design. Contact your Rondo Technical Representative for details.  
 Site Sub-Soil Class  
 A/Ae (Strong Rock)  
 B/Be (Rock)  
 C/Ce (Shallow Soil - Most Conservative)  
 D/De (Deep or Soft Soil)  
 E/Ee (Very Soft Soil)

### Imposed Load

Lining Type \_\_\_\_\_  
 Number of Layers    1    2    3  
 Insulation \_\_\_\_\_ kg/m<sup>2</sup>  
 Other \_\_\_\_\_ kg/m<sup>2</sup>  
 Total Lining Weight \_\_\_\_\_ kg/m<sup>2</sup>

### Service Load Data

Service Load [U] \_\_\_\_\_ kg/m<sup>2</sup>  
(min 3.0 kg/m<sup>2</sup>)

### XPRESS® Installation Details

Grid Type    A    B  
(Refer to Page 2)

#### Suspension Method

- ø2.5mm wire through MT bulb/head
- ø2.5mm wire through MT web
- Using a DXCL clip to MT
- Using a DXDF strap to MT

Main Tee    XD1    XD1H    XD3    XD3H

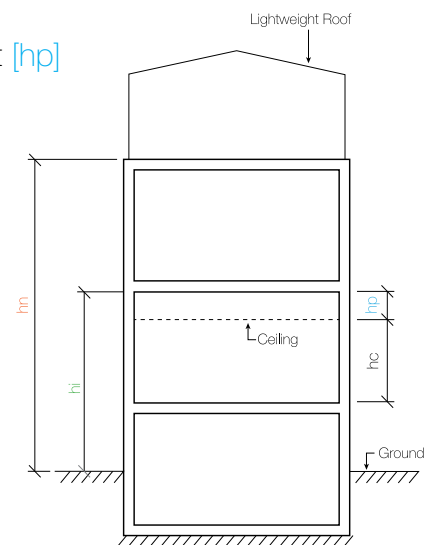
Cross Tee    XD2    XD4

### Geometry Data

Total Height of Structure [hn] \_\_\_\_\_ m  
 Height of Ceiling Above Base [hx] \_\_\_\_\_ m  
 Ceiling Angle [α] \_\_\_\_\_ °

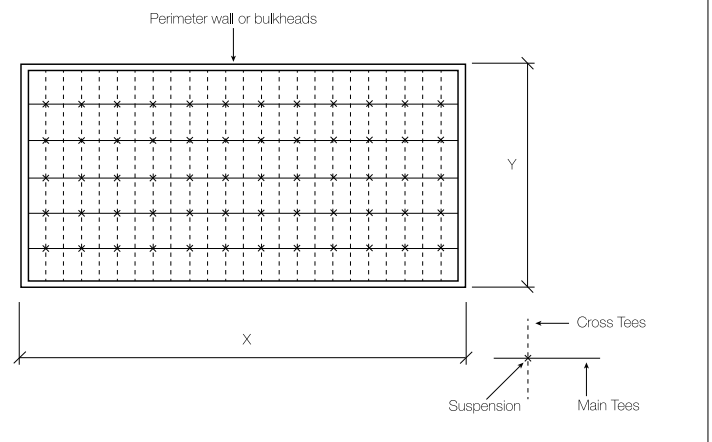
#### Max Plenum Height [hp]

- 0.300m
- 0.400m
- 0.500m
- 0.600m
- 0.700m
- 0.800m
- 0.900m
- 1.000m
- 1.100m
- 1.200m
- 1.500m
- 1.700m



### Room Dimensions

Width Parallel to Main-Tees [X] \_\_\_\_\_ m  
 Width Parallel to Cross-Tees [Y] \_\_\_\_\_ m



# RONDO®

[www.rondoglobal.com](http://www.rondoglobal.com)

Please email the completed form to your Rondo Technical Representative

**XPRESS®** Grid Type

