

Rondo KEY-LOCK® Concealed Ceiling System Seismic Design Form

Date
Contractor Name
Project Name
Project Stage

Building Data

Country Location

Building Importance Level 2 3 4

Note: For New Zealand, importance Level 5 buildings require a specific design. Contact your Rondo Technical Representative for details.

Site Sub-Soil Class

- A/Ae (Strong Rock)
- B/Be (Rock)
- C/Ce (Shallow Soil - Most Conservative)
- D/De (Deep or Soft Soil)
- E/Ee (Very Soft Soil)

Imposed Load

Lining Type

Number of Layers 1 2 3

Insulation kg/m²

Other kg/m²

Total Lining Weight kg/m²

Service Load Data

Service Load [U] kg/m²

(min 3.0 kg/m²)

KEY-LOCK® Installation Details

127 TCR Spacing [A] 0.900m 1.200m
1.500m 1.800m

129 FC Spacing [B] 0.450m 0.600m

127 TCR Span [C] 0.900m 1.200m
1.500m

Geometry Data

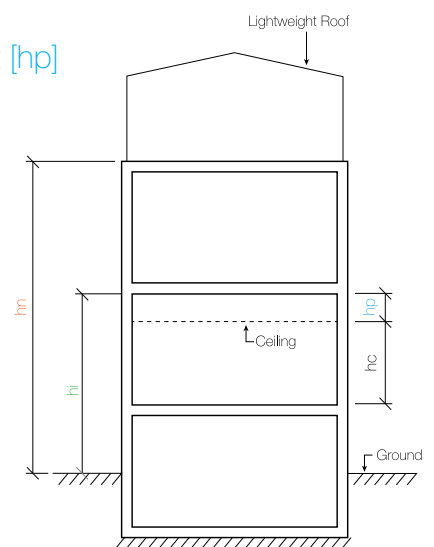
Total Height of Structure [hn] m

Height of Ceiling Above Base [hx] m

Ceiling Angle [α] °

Max Plenum Height [hp]

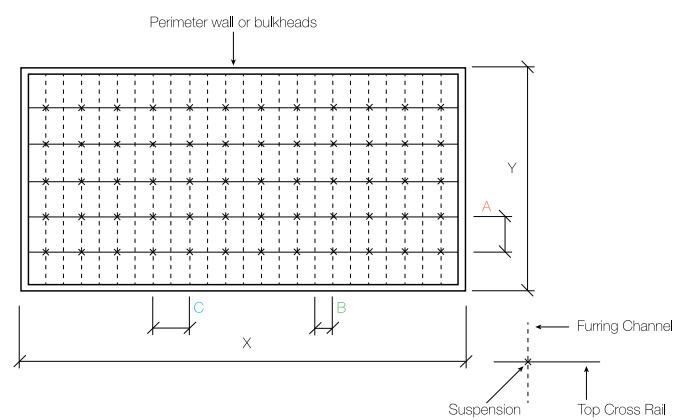
- 0.600m
- 1.000m
- 1.400m
- 1.800m
- 2.400m



Room Dimensions

Width Parallel to TCRs [X] m

Width Parallel to 129 FCs [Y] m



RONDO®

www.rondoglobal.com

Please email the completed form to your Rondo Technical Representative